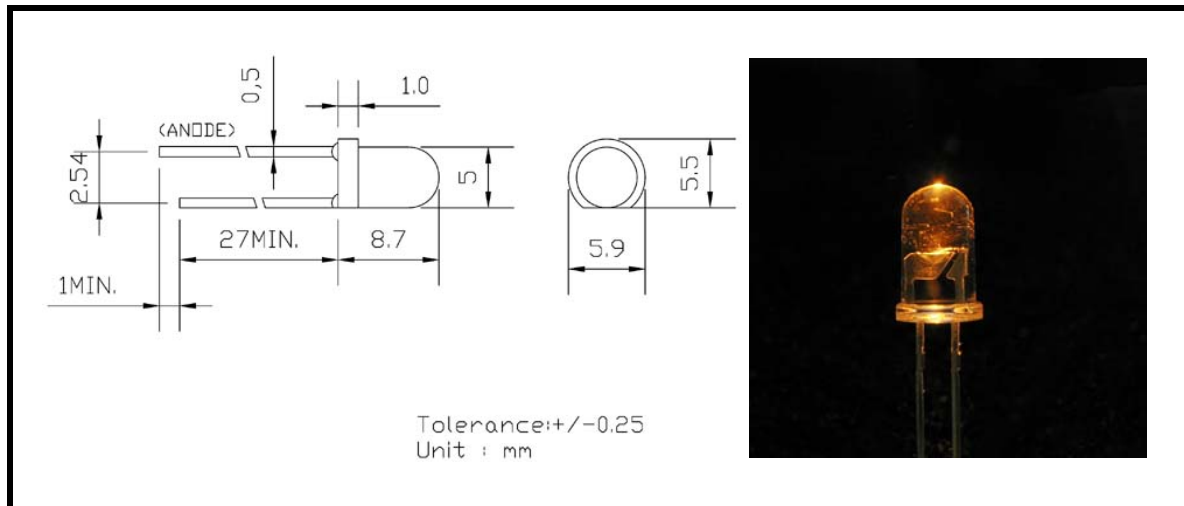




Ø5mm Ultra Bright Amber LED

Model No. : 5Y3SC



SPECIFICATION

Absolute maximum rating (Ta=25°C)

Parameter	Symbol	Rating	Unit
Continuous Forward Current	IF	30	mA
Peak Forward Current	IFM	35	mA
Reverse Voltage	VR	5	V
Operating Temperature	Topr	-25 ~ +65	°C
Storage Temperature	Tstg	-25 ~ +65	°C
Soldering Temperature	Tsol	260 (5Sec)	°C

Electrical / Optical characteristics rating (Ta=25°C)

Item	Symbol	Test Condition	Rating			Unit
			Min.	Typ.	Max.	
Forward Voltage	VF	IF=20mA	1.9		2.1	V
Luminous Intensity	JV	IF=20mA		3500		mcd
Peak Emission Wave Length	λd	IF=20mA		585		nm
Reverse Current	IR	VR=5V			10	uA
View Angle 2θ 1/2	--	--	25			deg.