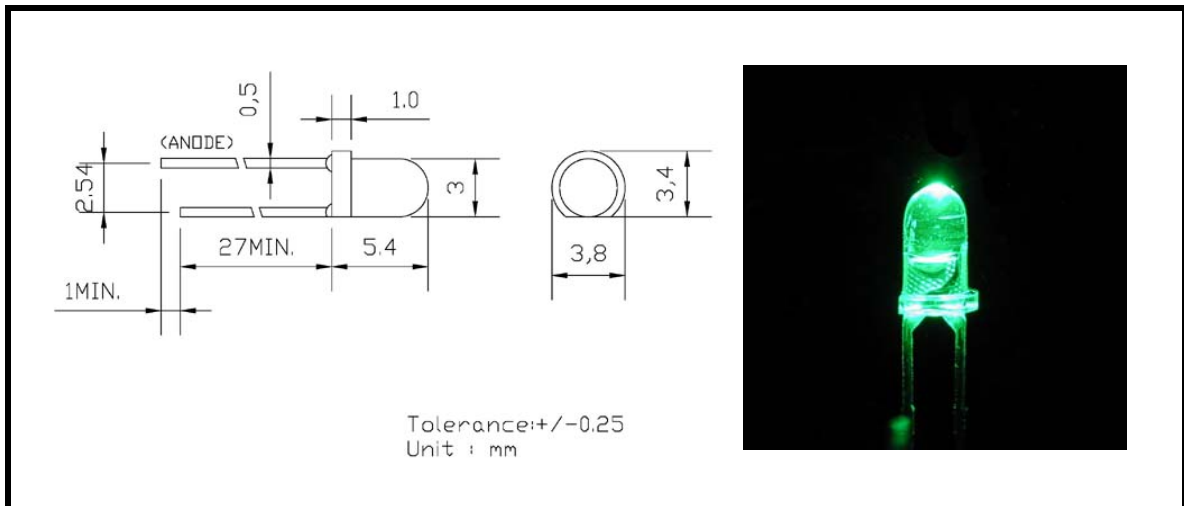




Ø3mm Ultra Bright Pure Green LED

Model No. : 33G4SC



SPECIFICATION

Absolute maximum rating (Ta=25°C)

| Parameter | Symbol | Rating | Unit |
|----------------------------|--------|-------------|------|
| Continuous Forward Current | IF | 30 | mA |
| Peak Forward Current | IFM | 35 | mA |
| Reverse Voltage | VR | 5 | V |
| Operating Temperature | Topr | -25 ~ +65 | °C |
| Storage Temperature | Tstg | -25 ~ +65 | °C |
| Soldering Temperature | Tsol | 260 (5Sec) | °C |

Electrical / Optical characteristics rating (Ta=25°C)

| Item | Symbol | Test Condition | Rating | | | Unit |
|---------------------------|--------|----------------|--------|------|------|------|
| | | | Min. | Typ. | Max. | |
| Forward Voltage | VF | IF=20mA | 3.1 | | 3.5 | V |
| Luminous Intensity | JV | IF=20mA | | 3000 | | mcd |
| Peak Emission Wave Length | λd | IF=20mA | | 520 | | nm |
| Reverse Current | IR | VR=5V | | | 10 | uA |
| View Angle 2θ 1/2 | -- | -- | 25 | | | deg. |