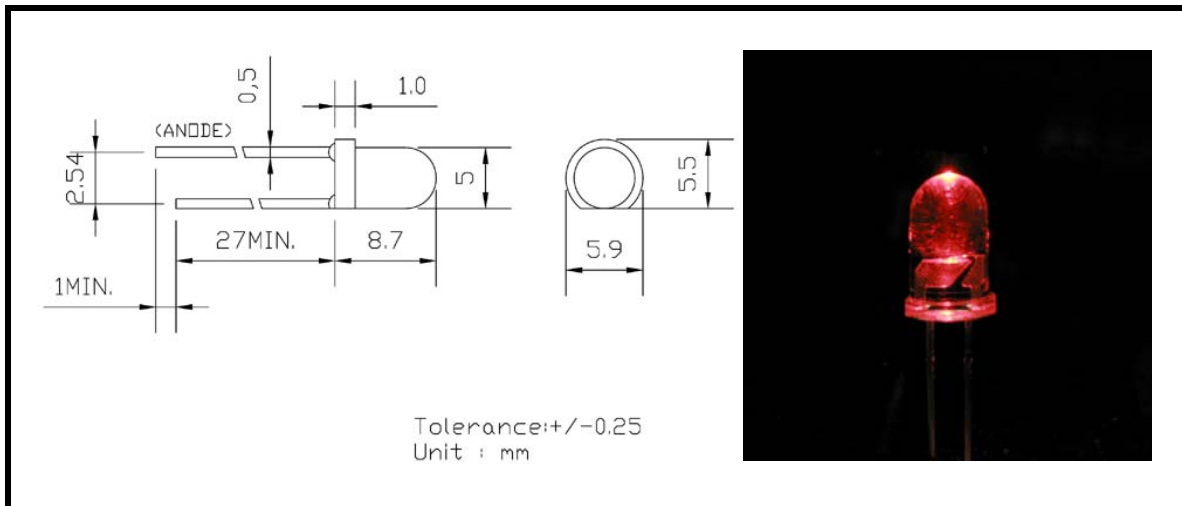




Ø5mm Ultra Bright Red LED

Model No. : 53R3SC



SPECIFICATION

Absolute maximum rating ($T_a=25^{\circ}\text{C}$)

Parameter	Symbol	Rating	Unit
Continuous Forward Current	IF	30	mA
Peak Forward Current	IFM	35	mA
Reverse Voltage	VR	5	V
Operating Temperature	Topr	-25 ~ +65	$^{\circ}\text{C}$
Storage Temperature	Tstg	-25 ~ +65	$^{\circ}\text{C}$
Soldering Temperature	Tsol	260 (5Sec)	$^{\circ}\text{C}$

Electrical / Optical characteristics rating ($T_a=25^{\circ}\text{C}$)

Item	Symbol	Test Condition	Rating			Unit
			Min.	Typ.	Max.	
Forward Voltage	VF	IF=20mA	1.9		2.1	V
Luminous Intensity	JV	IF=20mA		1200		mcd
Peak Emission Wave Length	λ_d	IF=20mA		620		nm
Reverse Current	IR	VR=5V			10	μA
View Angle 2 θ 1/2	--	--	25			deg.